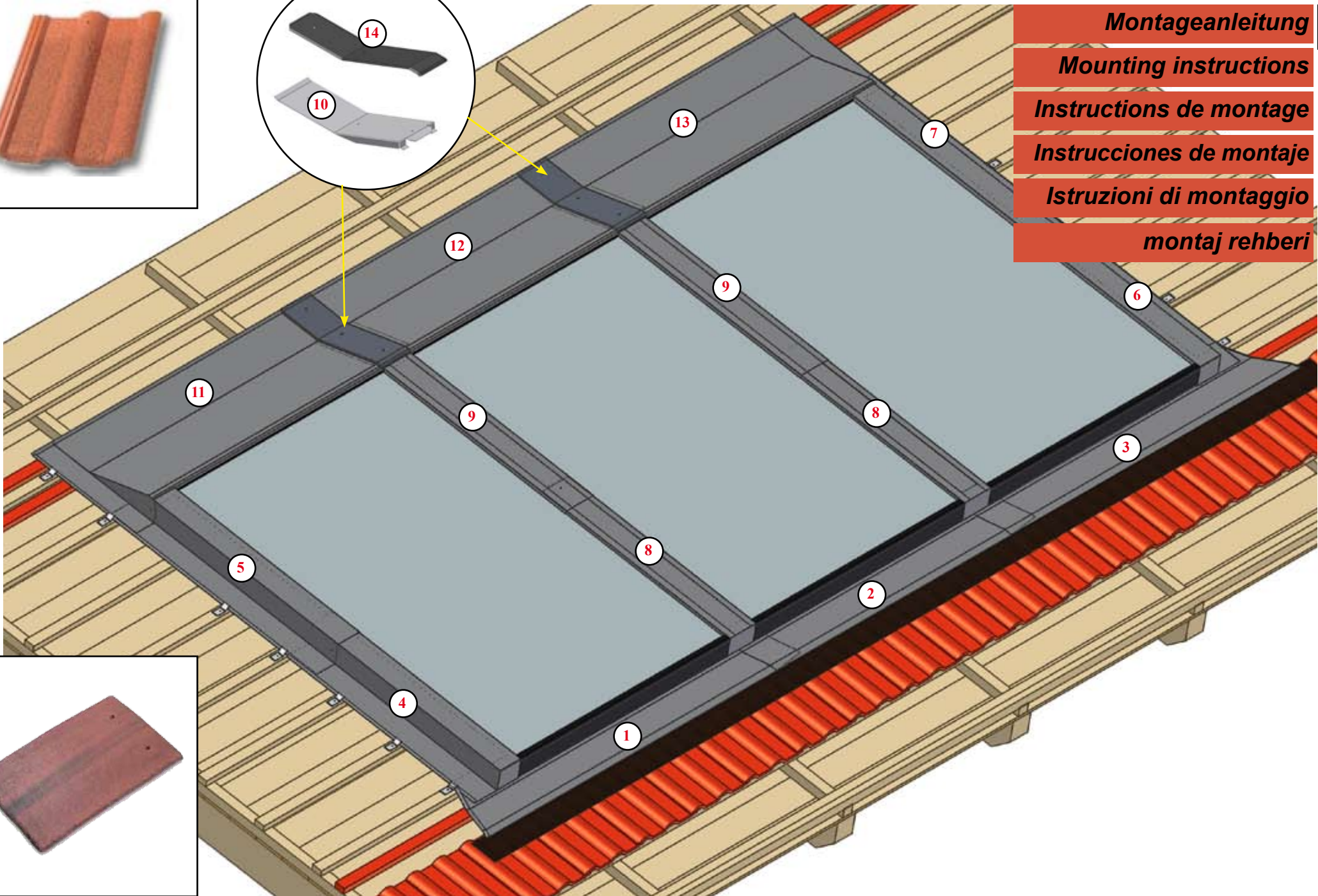
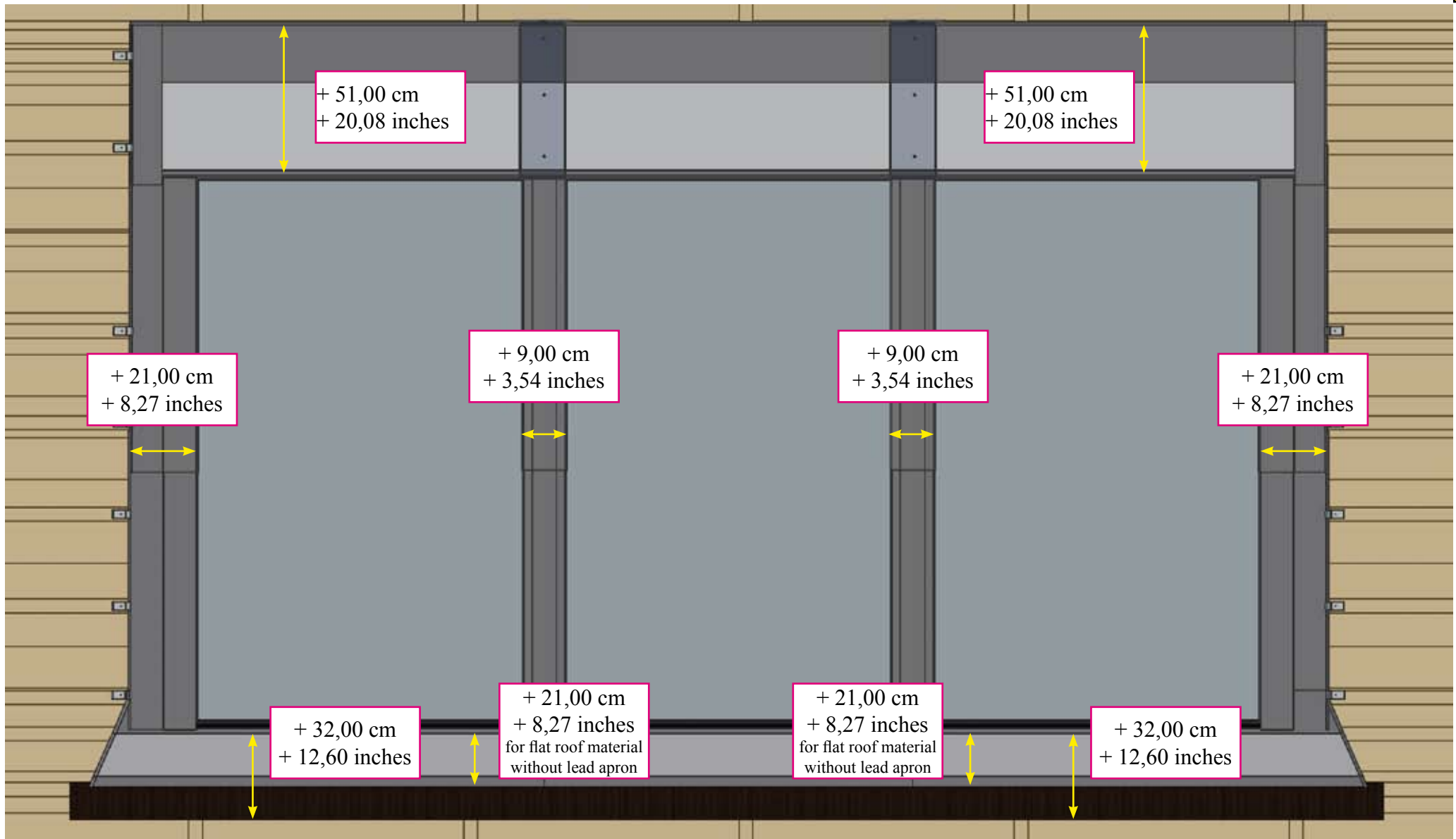


**Montageanleitung** **1**  
**Mounting instructions**  
**Instructions de montage**  
**Instrucciones de montaje**  
**Istruzioni di montaggio**  
**montaj rehberi**



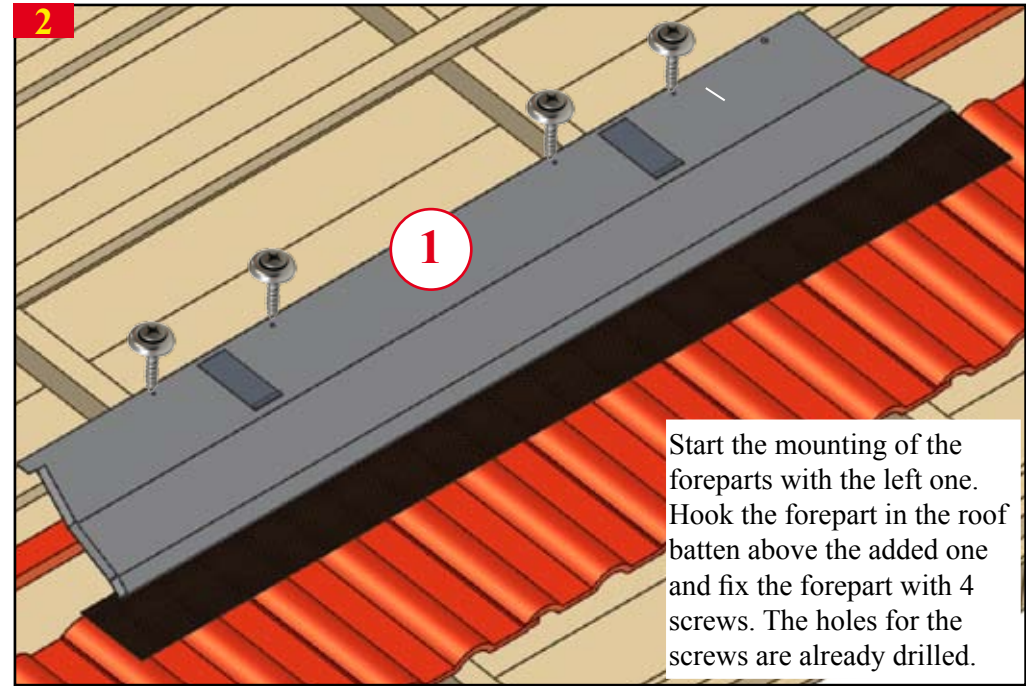
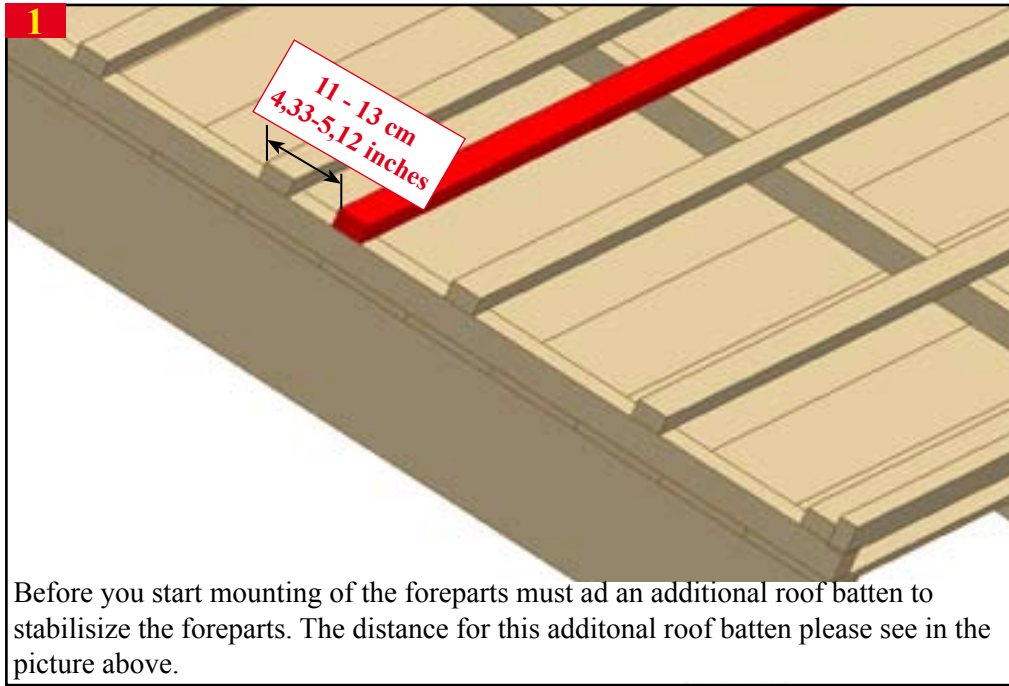
## Ready mounted dimensions

2

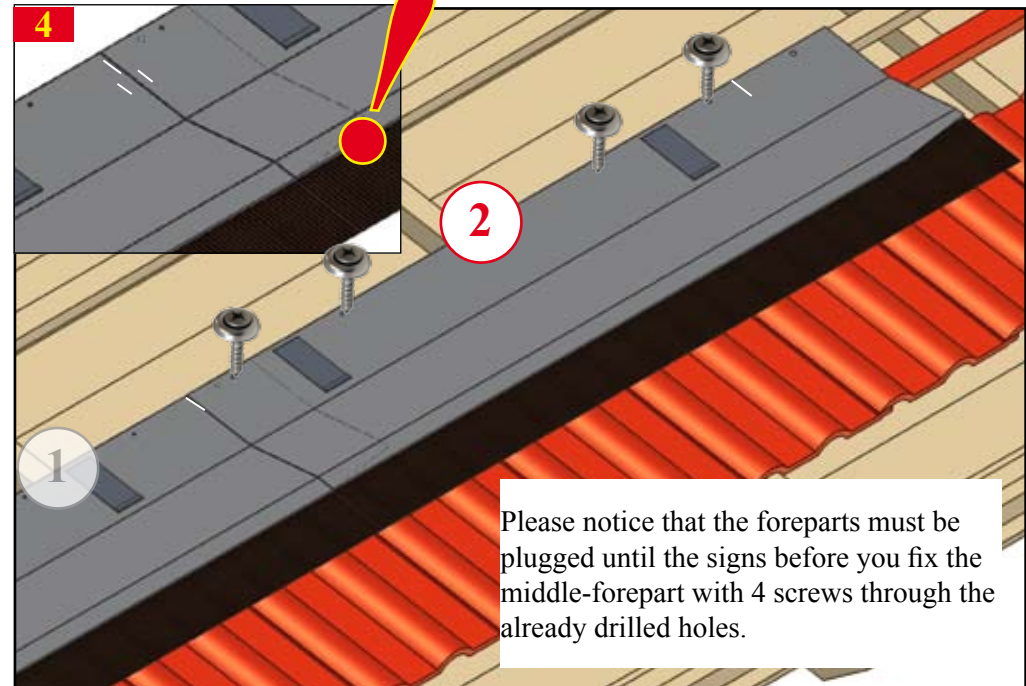
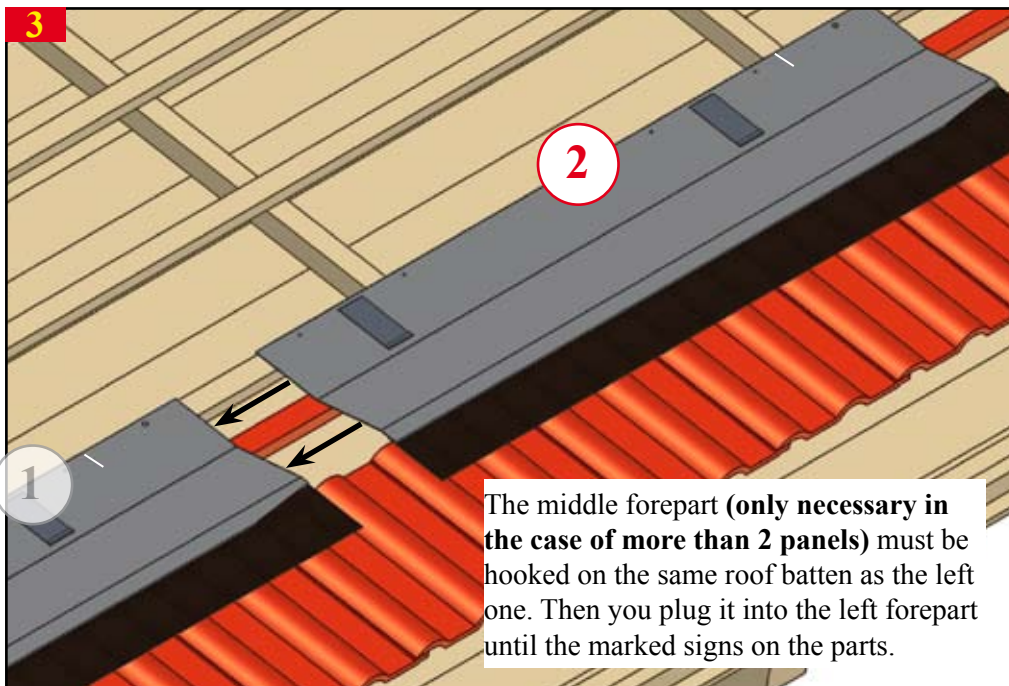


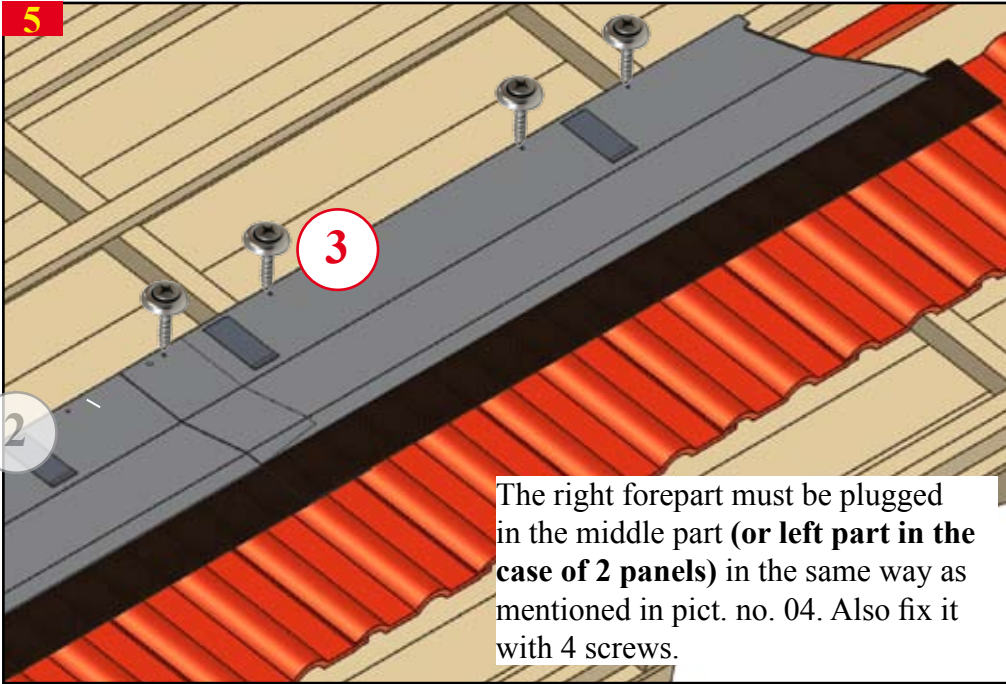
Before you start mounting the flashings please check the dimensions above, which show the ready mounted dimensions of the flashing. You have to add the dimensions of the flashing to the dimensions of the solar-panel so you will get the ready mounted dimension of the whole solar-system.

**This mounting instruction is valid for corrugated and flat roof tiles (for flat roof-tiles the foreparts are fabricated without lead-apron!!)**

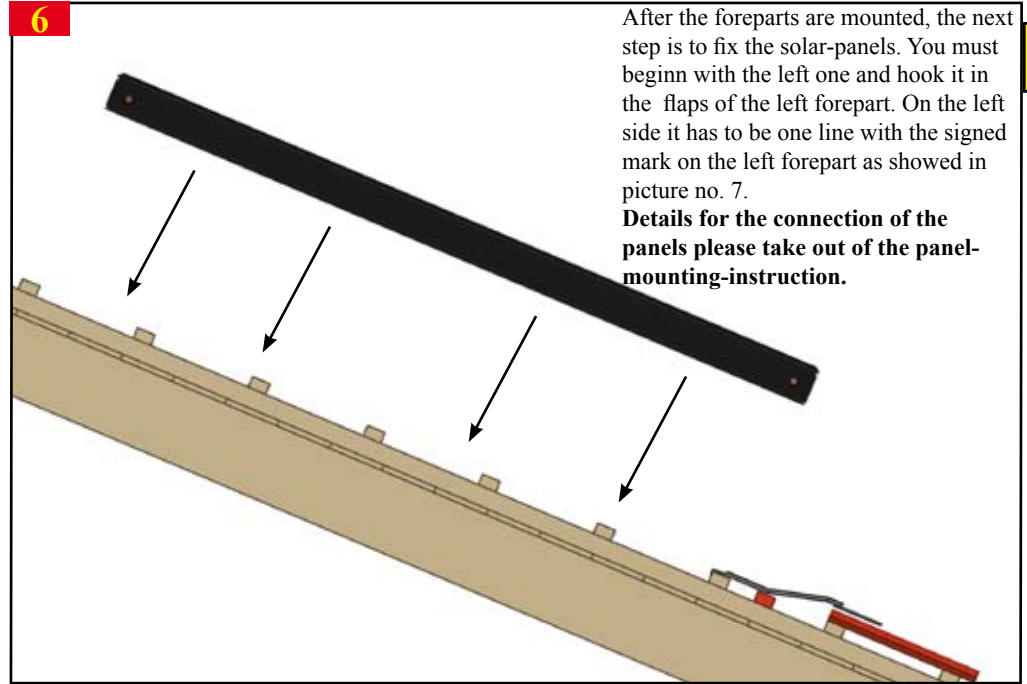


3



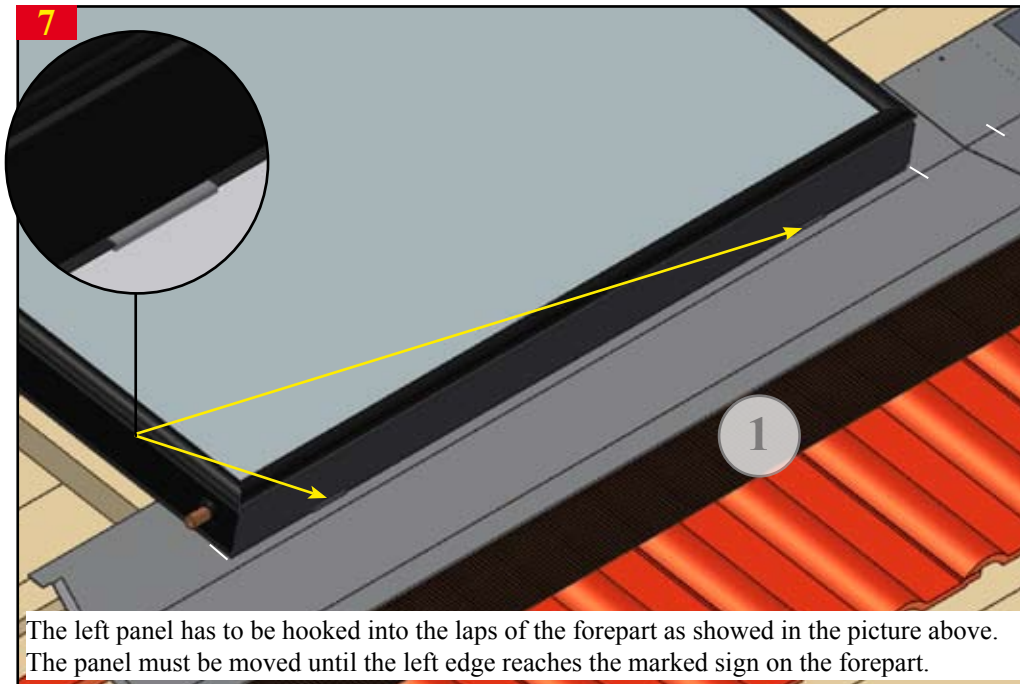


The right forepart must be plugged in the middle part (or left part in the case of 2 panels) in the same way as mentioned in pict. no. 04. Also fix it with 4 screws.

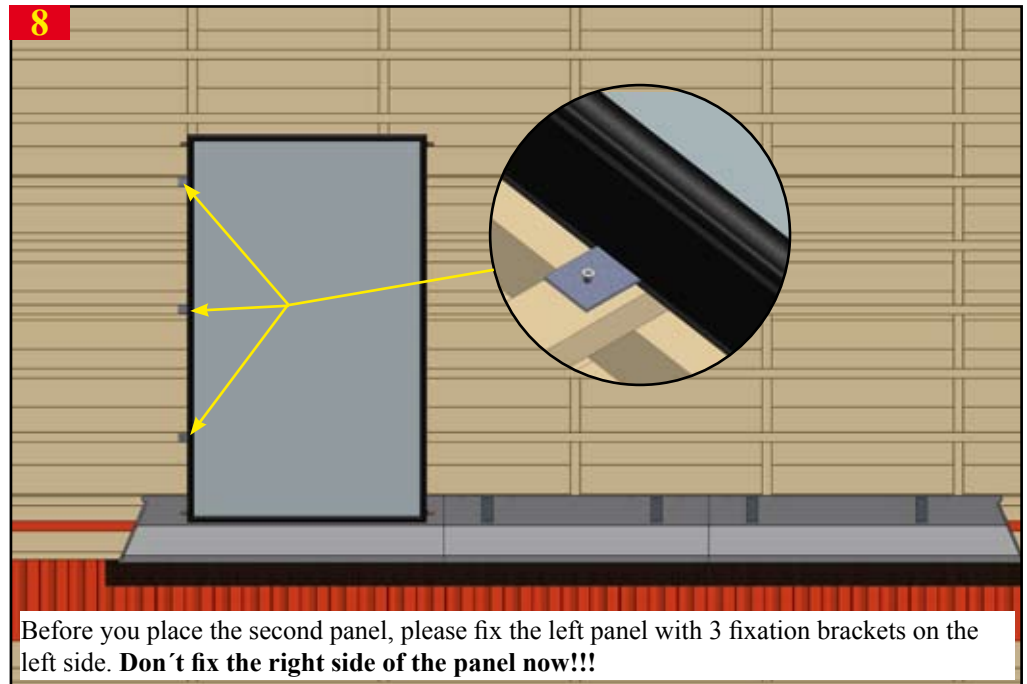


After the foreparts are mounted, the next step is to fix the solar-panels. You must begin with the left one and hook it in the flaps of the left forepart. On the left side it has to be one line with the signed mark on the left forepart as showed in picture no. 7.

**Details for the connection of the panels please take out of the panel-mounting-instruction.**



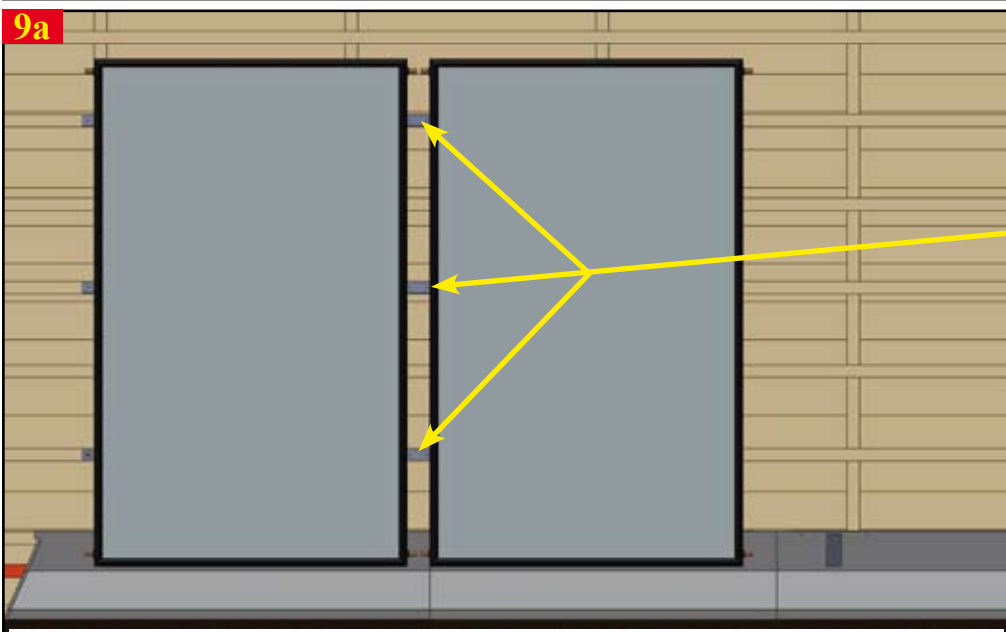
The left panel has to be hooked into the laps of the forepart as showed in the picture above. The panel must be moved until the left edge reaches the marked sign on the forepart.



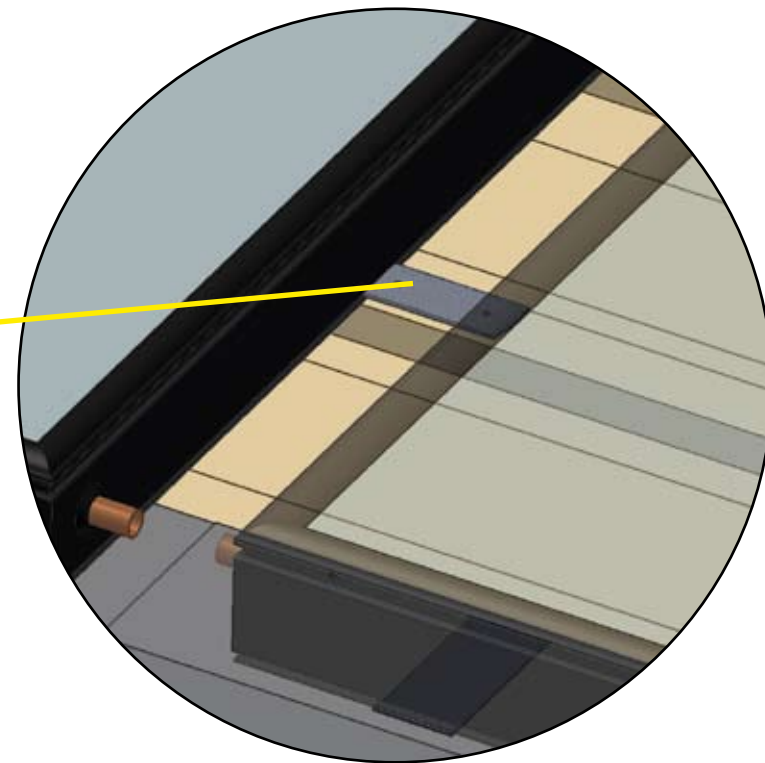
Before you place the second panel, please fix the left panel with 3 fixation brackets on the left side. **Don't fix the right side of the panel now!!!**



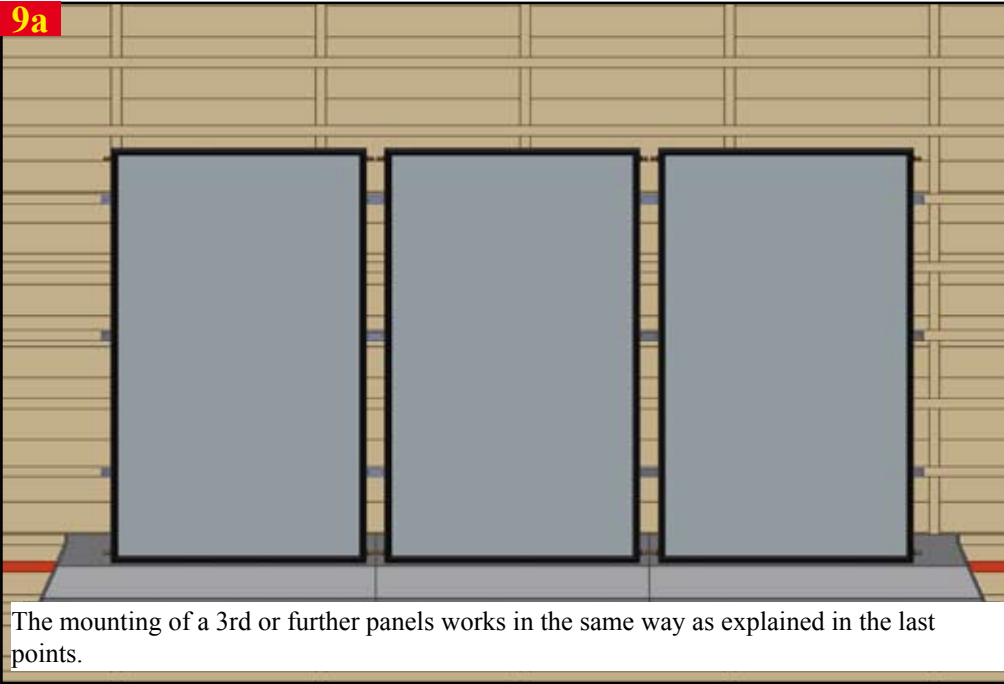
Now fit the second panel in the middle-forepart (or in the case of only 2 panels in the right forepart). The second panel must be fitted in the same way like the first one.



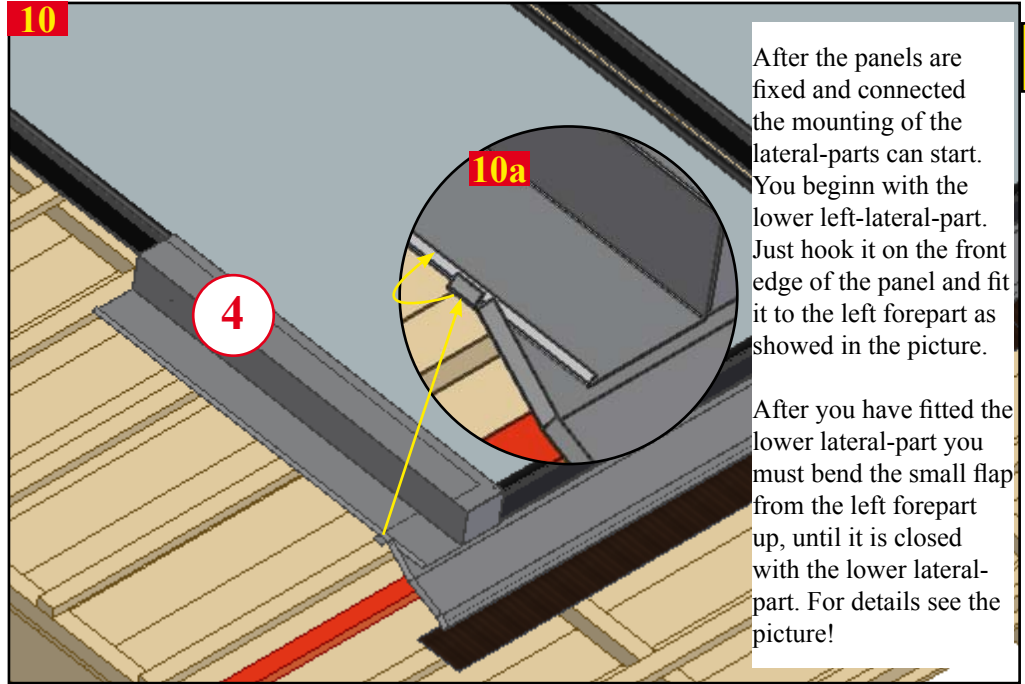
After you have placed the second panel, fix it with the longer fixation brackets together with the right side of the first panel. See the detailed picture on the right side. If you have only a 2-panel-system you can start fixing the right side of the second panel, in the same way as the left side of the first panel.



9a

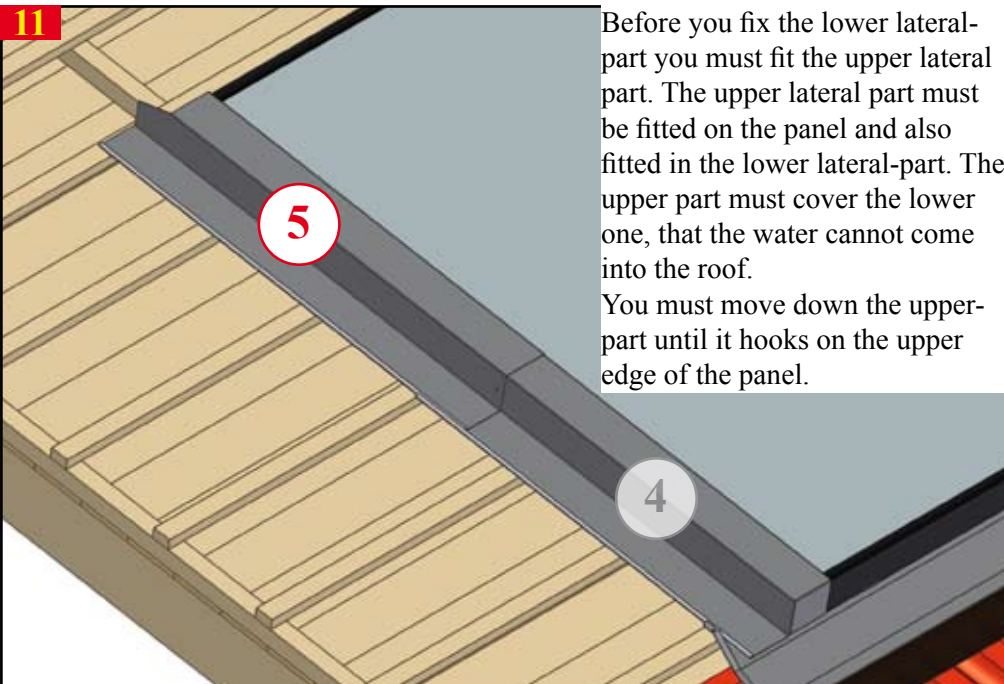


10

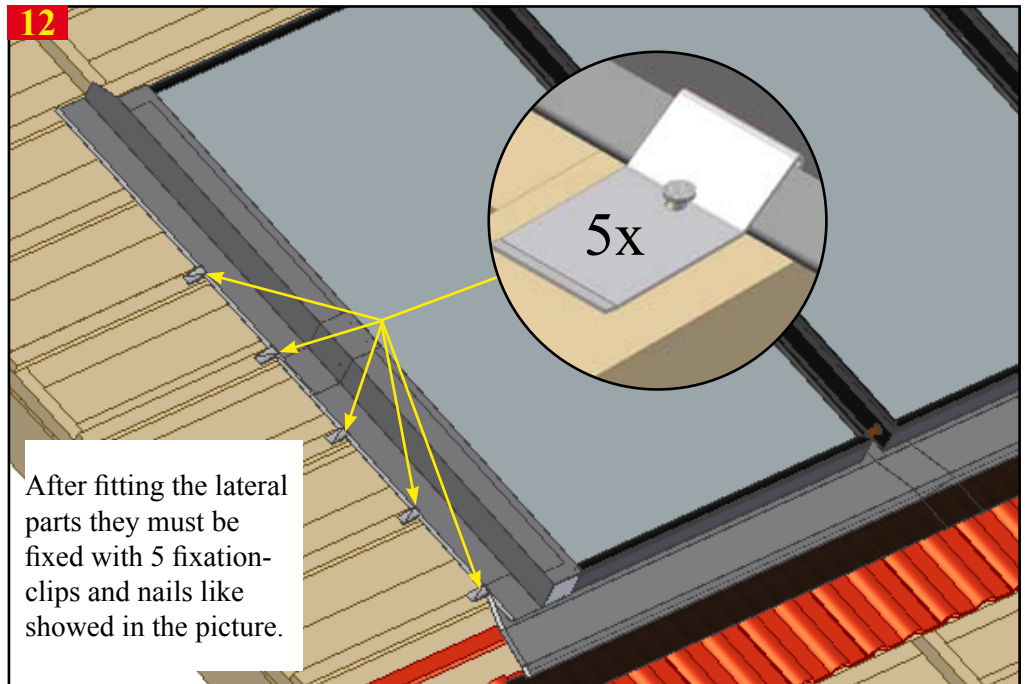


6

11



12

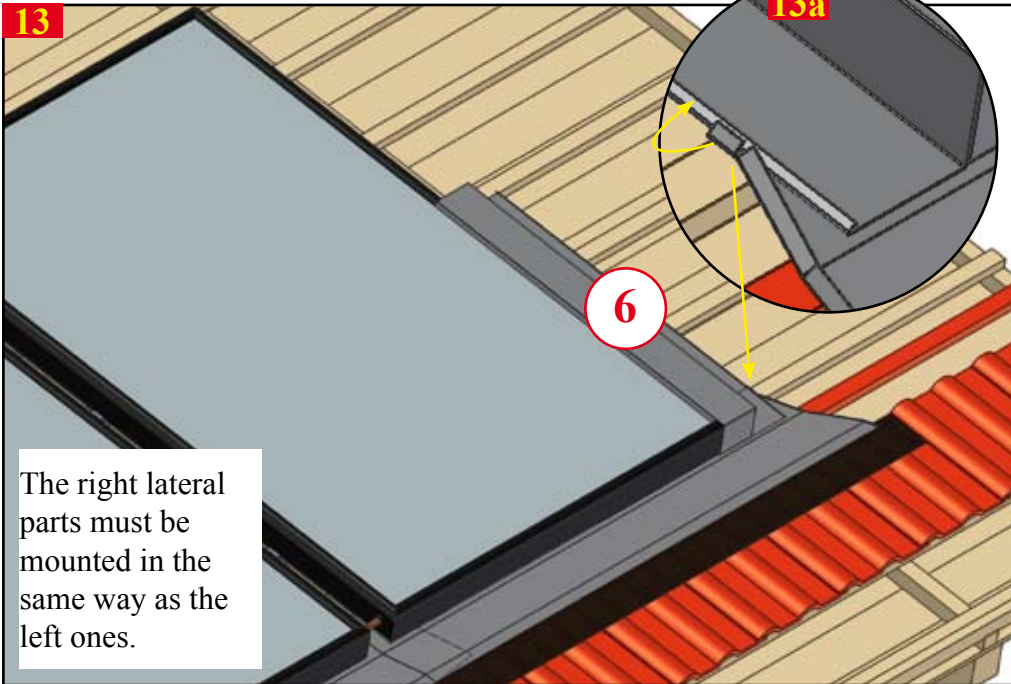


13

13a

6

The right lateral parts must be mounted in the same way as the left ones.

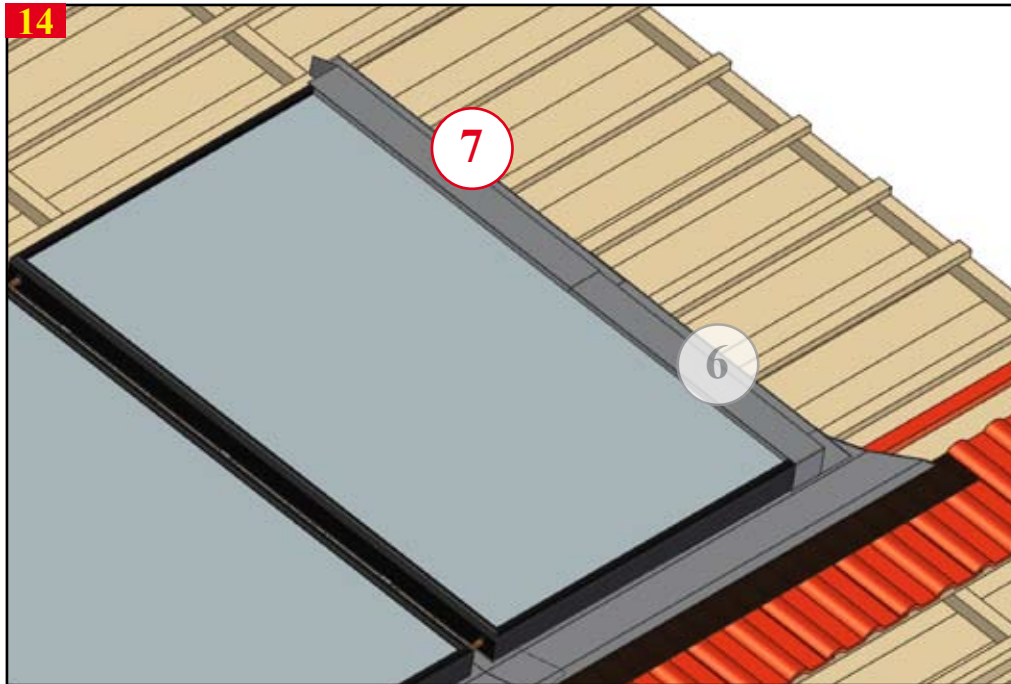


14

7

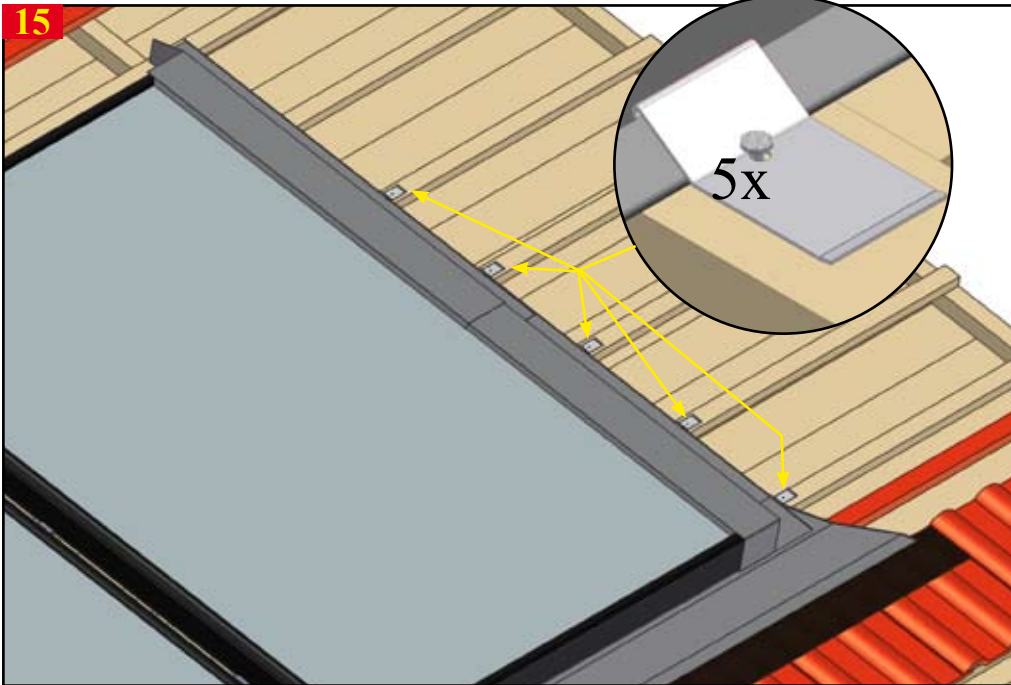
6

7



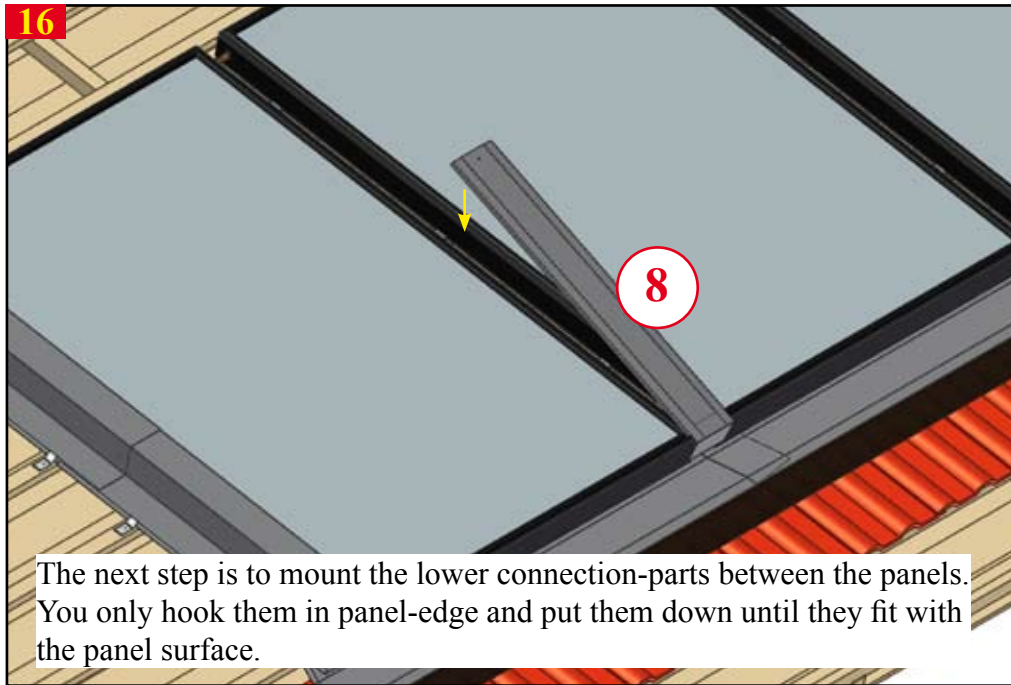
15

5x

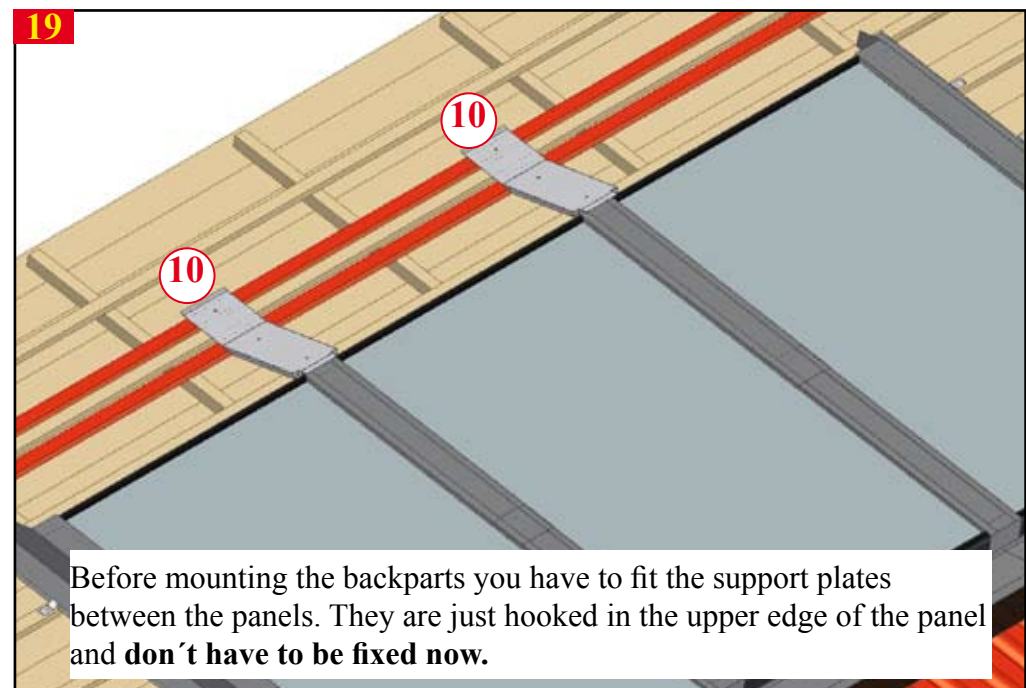
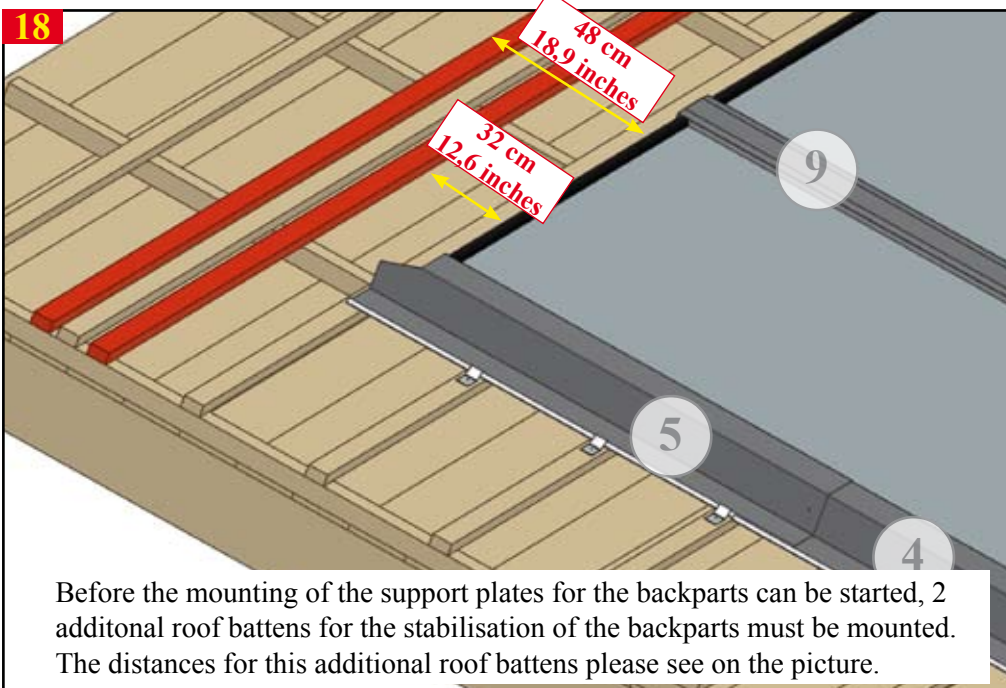
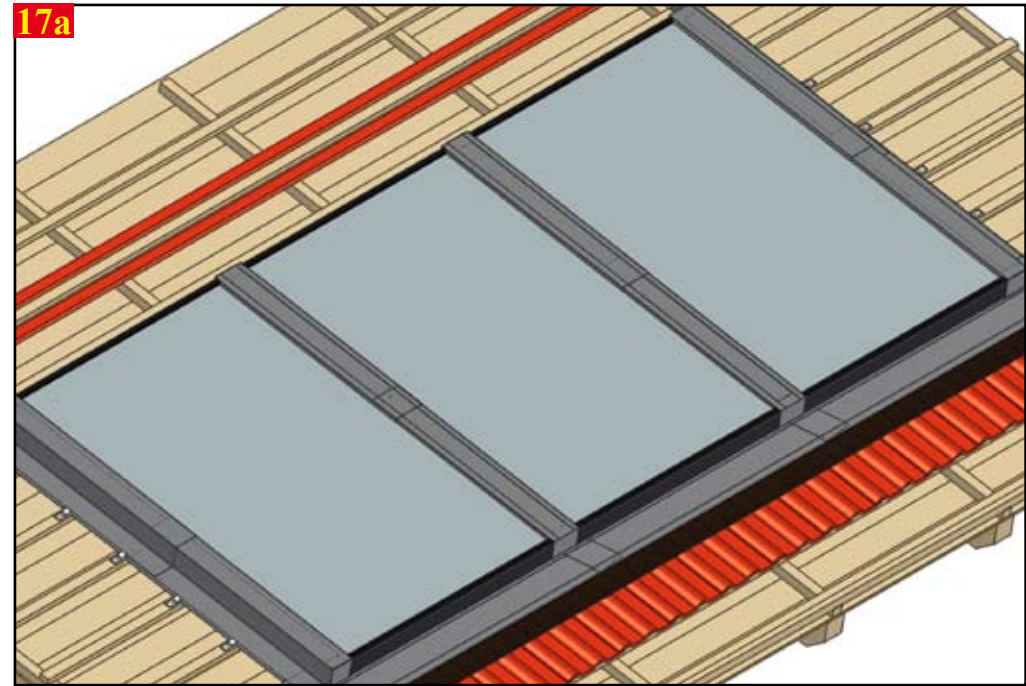
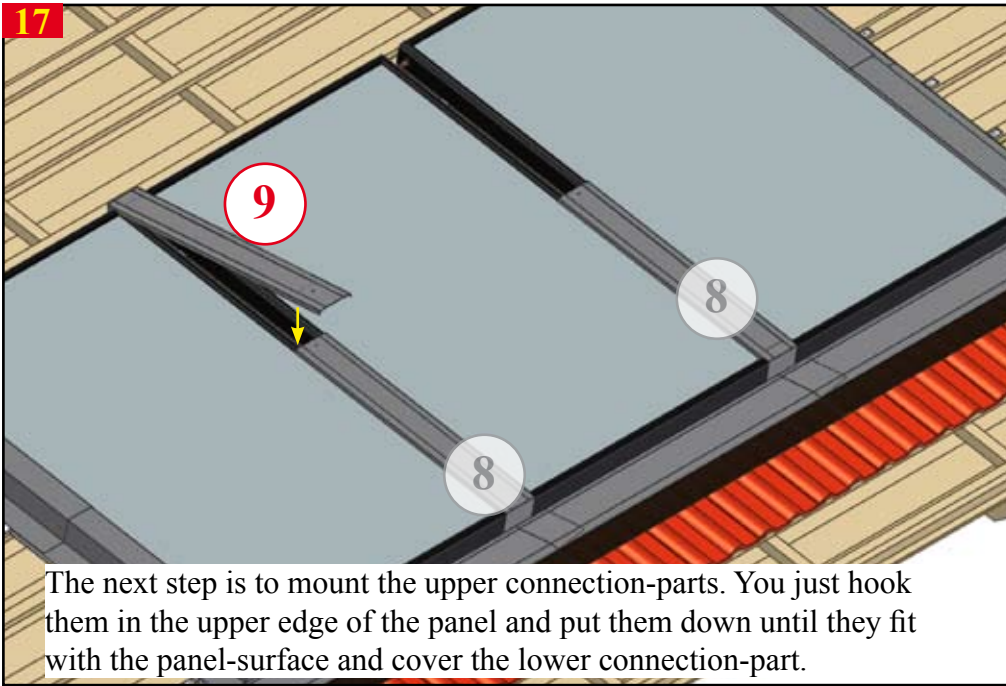


16

8

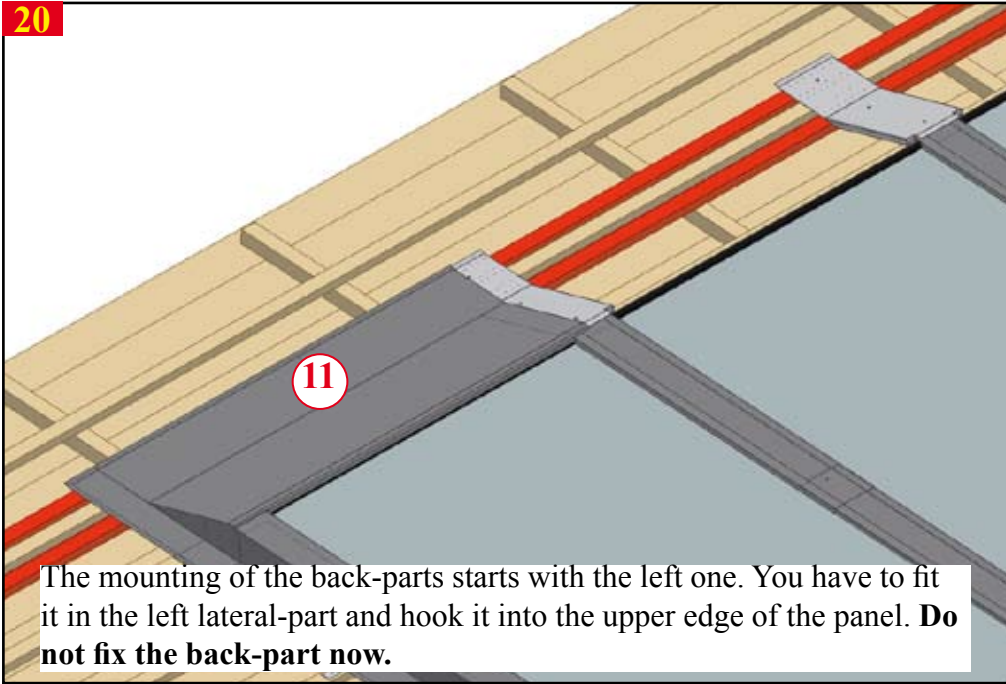


The next step is to mount the lower connection-parts between the panels. You only hook them in panel-edge and put them down until they fit with the panel surface.



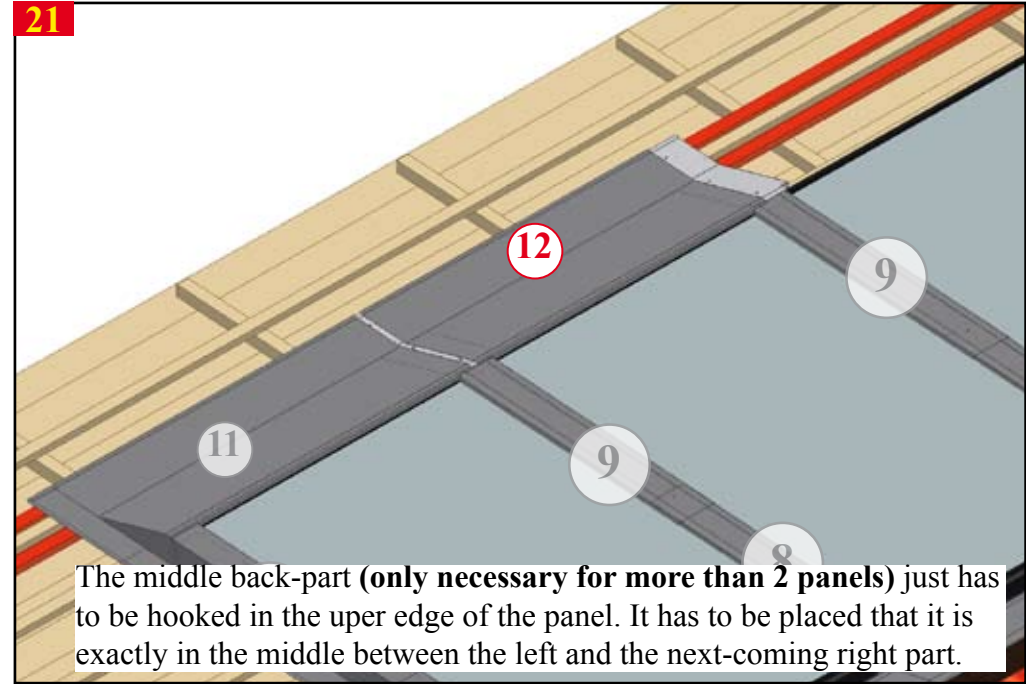


20



The mounting of the back-parts starts with the left one. You have to fit it in the left lateral-part and hook it into the upper edge of the panel. **Do not fix the back-part now.**

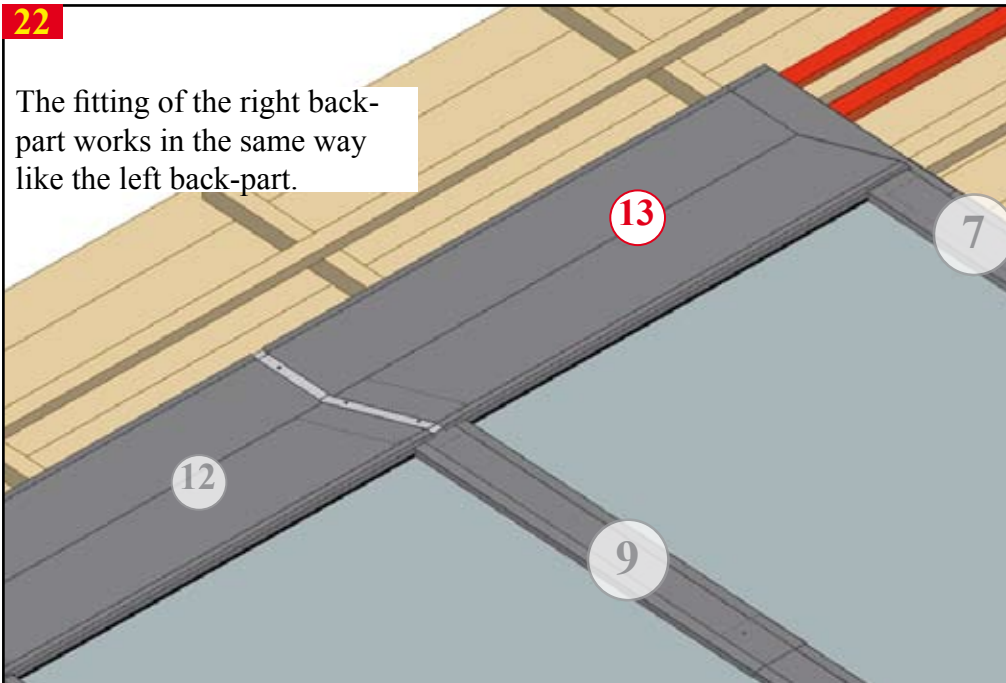
21



The middle back-part (**only necessary for more than 2 panels**) just has to be hooked in the upper edge of the panel. It has to be placed that it is exactly in the middle between the left and the next-coming right part.

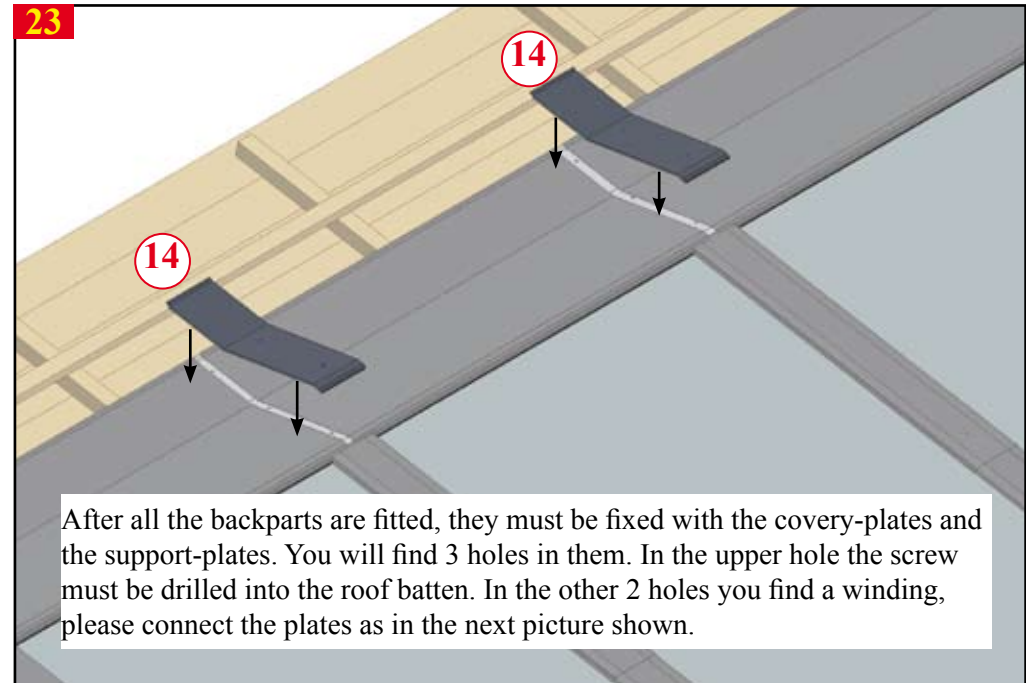
9

22

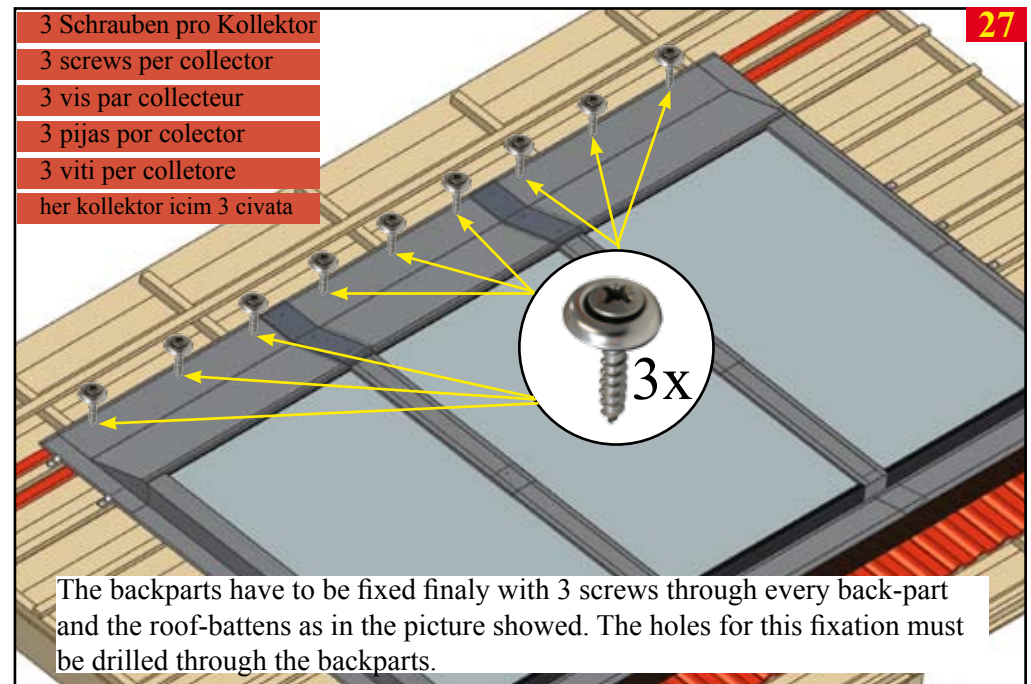
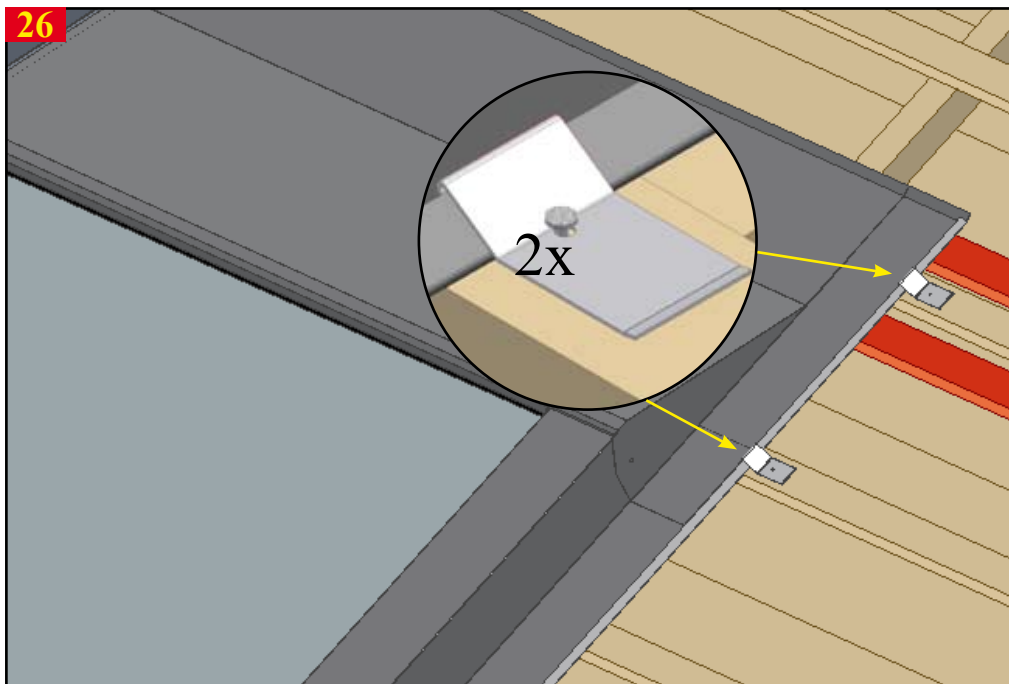
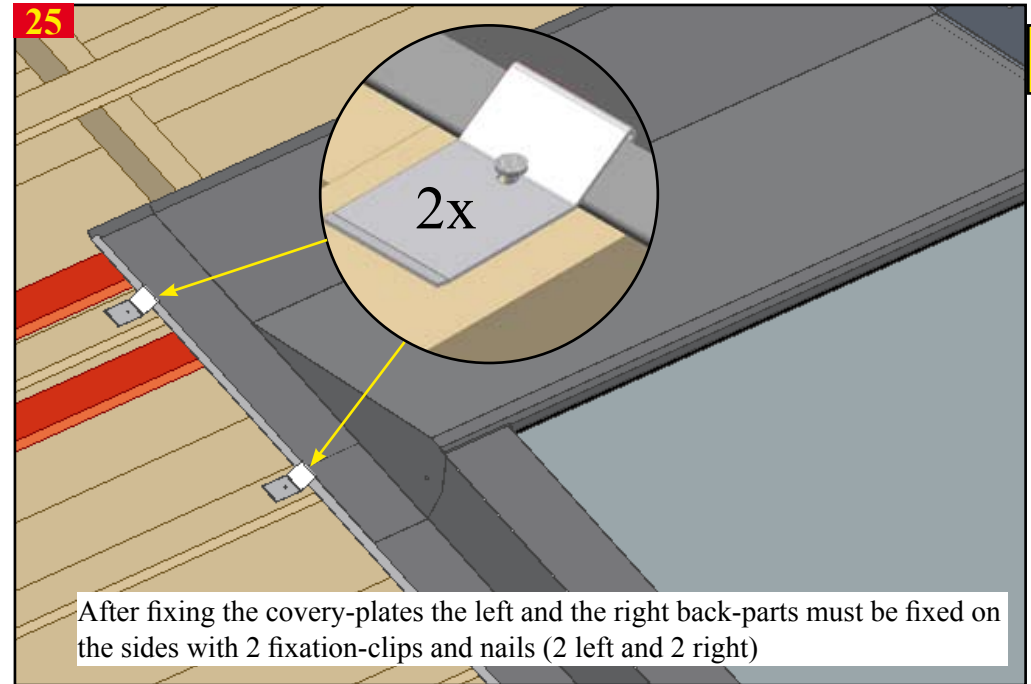
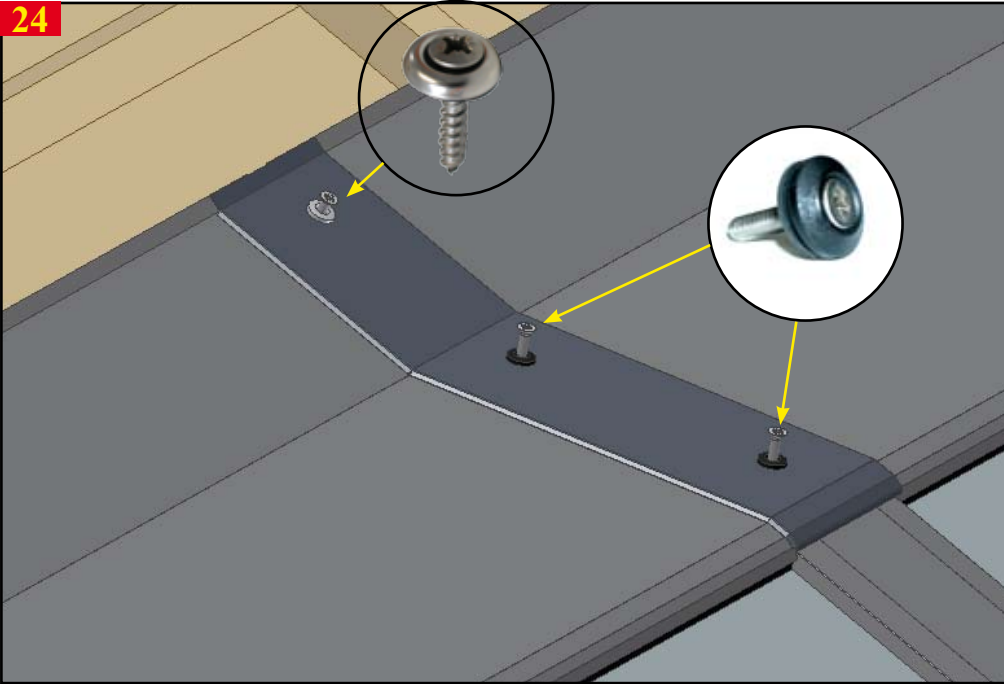


The fitting of the right back-part works in the same way like the left back-part.

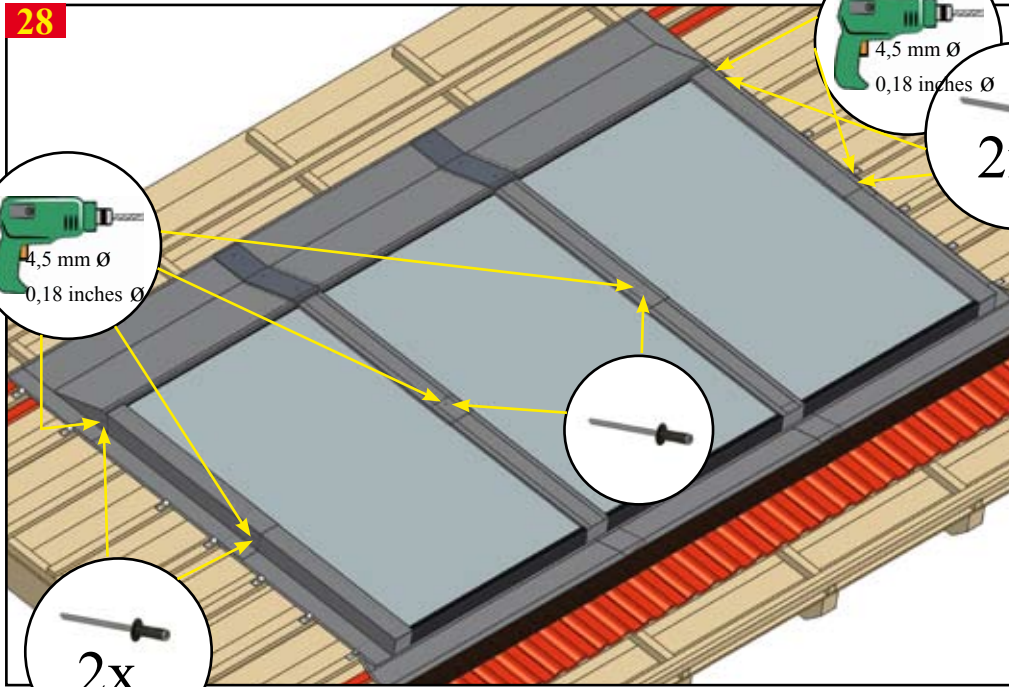
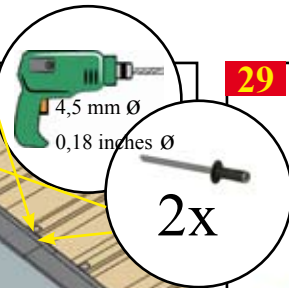
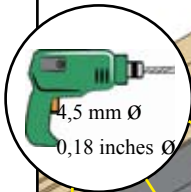
23



After all the backparts are fitted, they must be fixed with the cover-plates and the support-plates. You will find 3 holes in them. In the upper hole the screw must be drilled into the roof batten. In the other 2 holes you find a winding, please connect the plates as in the next picture shown.

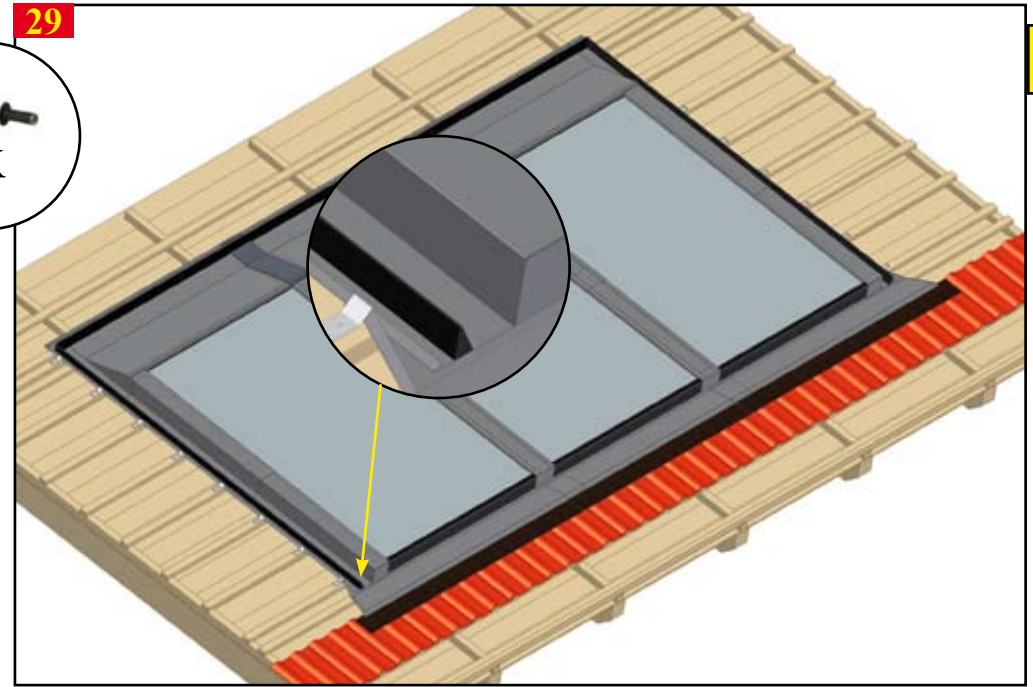


28



Fixation with rivets: You have to fix the single parts with rivets on the points shown in the picture. There are only holes in the covering parts so you have to drill that you can place the rivets.

29



Around the lateral- and the backparts place foam-gascets like in the picture shown.

**Only necessary in the case of corrugated roof material!!**

11